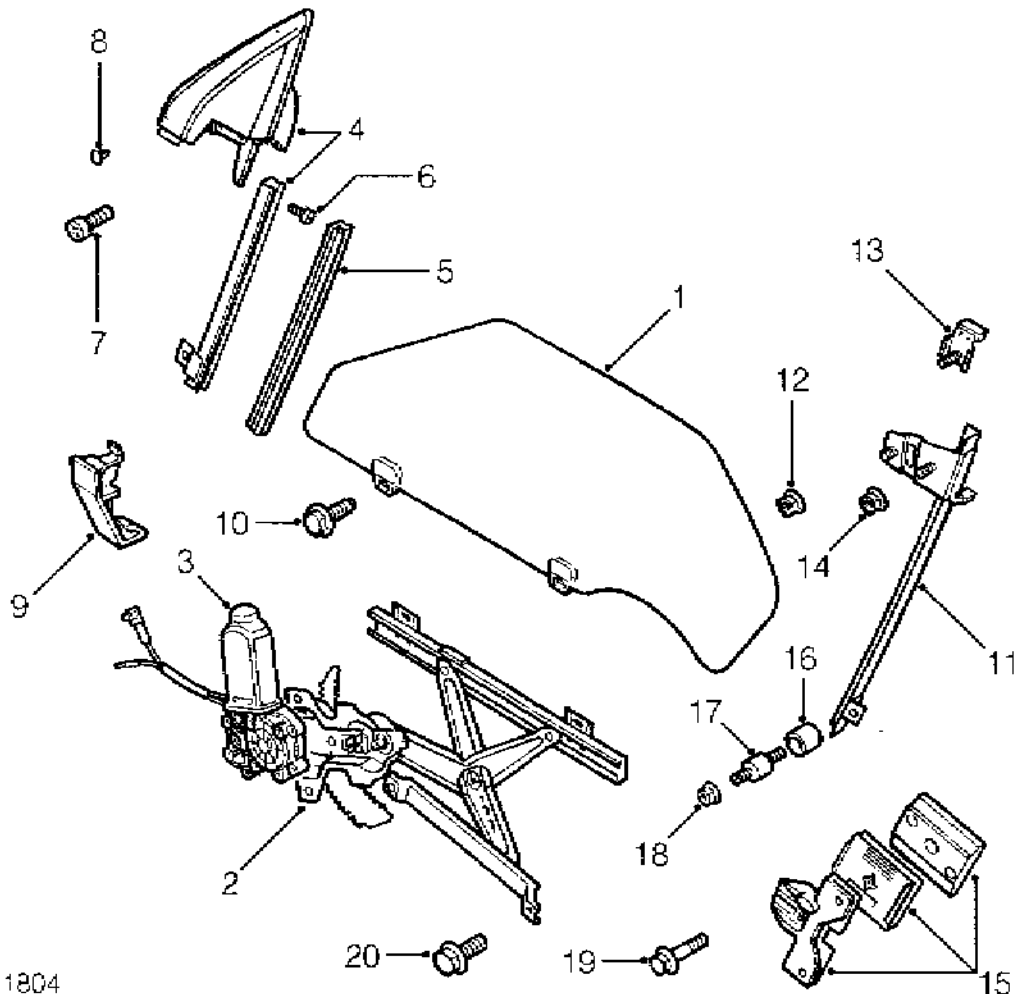




ELECTRIC WINDOW LIFT COMPONENTS



76M1804

- | | |
|--|--|
| <ul style="list-style-type: none"> 1. Door glass 2. Regulator 3. Motor 4. Cheater assembly 5. Sash 6. Screw - sash to cheater, 2 off 7. Screw - cheater, 2 off 8. Fastener - cheater 9. Glass stop, 10. Bolt - glass to regulator, 2 off | <ul style="list-style-type: none"> 11. Sash 12. Nut - upper rail bracket, 2 off 13. Stud bracket - glass retention 14. Nut - glass retention 15. Glass retention assembly 16. Sleeve - sash adjuster, 2 off 17. Screw - sash adjuster, 2 off 18. Nut - sash adjuster, 2 off 19. Bolt - glass retention 20. Bolt - regulator, 2 off |
|--|--|